



## Stainless Steel 316

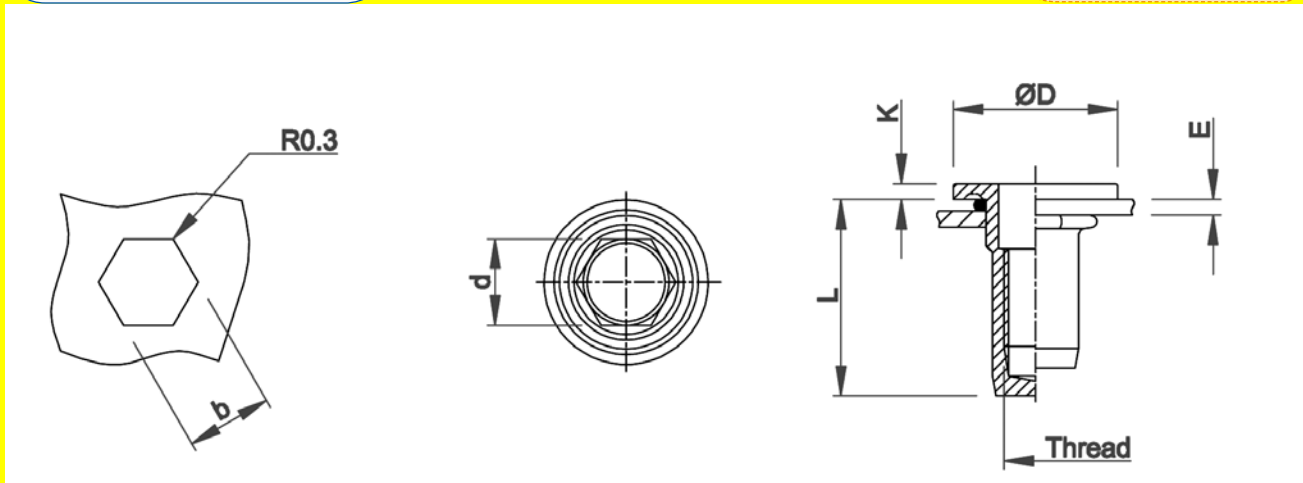
(contains > 2% Molybden)

Semi-hexagonal shank  
 Flat head with underhead seal  
 Closed end

HX

watertight  
 10 bar (IP68<sup>1</sup>)

extra high  
 corrosion resistance



THREAD	TYPE	E = grip	L	b+0,1 = hex hole	d = hex shank	D	K	kg/1000	ORDER CODE	BOX Q
M5	HX3001	0,5-3,0	19,0	7,0	7,0	13,5	1,5	3,8	555 905*	2500
M6	HX3001	0,5-3,0	21,5	9,0	9,0	16,0	1,5	7,5	556 903*	1250
M8	HX3001	0,5-3,0	25,0	11,0	11,0	21,0	2,0	13,1	558 902*	500

\* **Non-stock item:** minimum order quantity required after depletion of stock

All dimensions in mm - Technical data subject to modification

Tolerances and characteristics see chapter 'Technical Information'

General and technical information (seal and storage): [see pg 61](#) and [pg 80](#)

<sup>1</sup> IP68 guaranteed under Dejongd test conditions



How to order or inquire: Please prefix the TUBTARA order code with 'R852-' example: R852-513550