

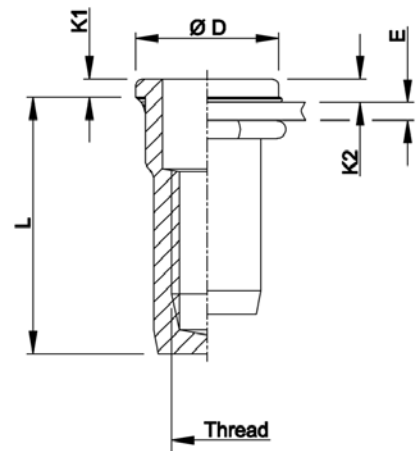
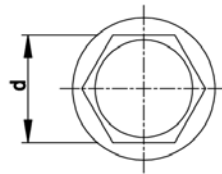
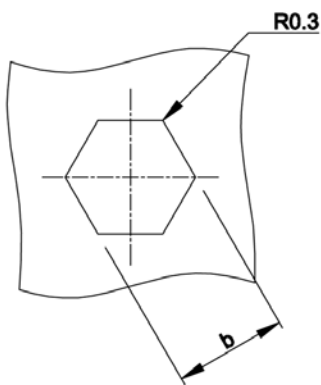


Stainless Steel 304

Semi-hexagonal shank
 Flat head with underhead seal
 Closed end

HDPX

watertight IP67¹



THREAD	TYPE	E = grip	L	b+0,1 = hex hole	d = hex shank	D	K1	K2	kg/1000	ORDER CODE	BOX Q
M4	HDPX15	0,5-1,5	15,0	6,0	6,0	9,0	1,0	1,3	2,3	544 5205	5000
M5	HDPX20	0,5-2,0	17,5	7,0	7,0	10,0	1,0	1,3	3,1	545 5205	2500
M6	HDPX20	0,5-2,0	21,5	9,0	9,0	12,0	1,5	1,9	6,6	546 4705	1500
	HDPX40	2,0-4,0	23,5	9,0	9,0	12,0	1,5	1,9	6,8	546 4755	1500
M8	HDPX20	0,5-2,0	23,5	11,0	11,0	15,0	1,5	2,0	9,8	548 2605	1000
	HDPX45	2,0-4,5	26,0	11,0	11,0	15,0	1,5	2,0	10,2	548 2805	750

All dimensions in mm - Technical data subject to modification

Tolerances and characteristics see chapter "Technical Data" and [pg 60](#)

¹ IP 67 guaranteed under Dejong test conditions

K2: Reference values only. Several factors (seal thickness, hole size, setting force ...) influence head and seal thickness after installation.



How to order or inquire: Please prefix the TUBTARA order code with 'R852-' example: R852-513550