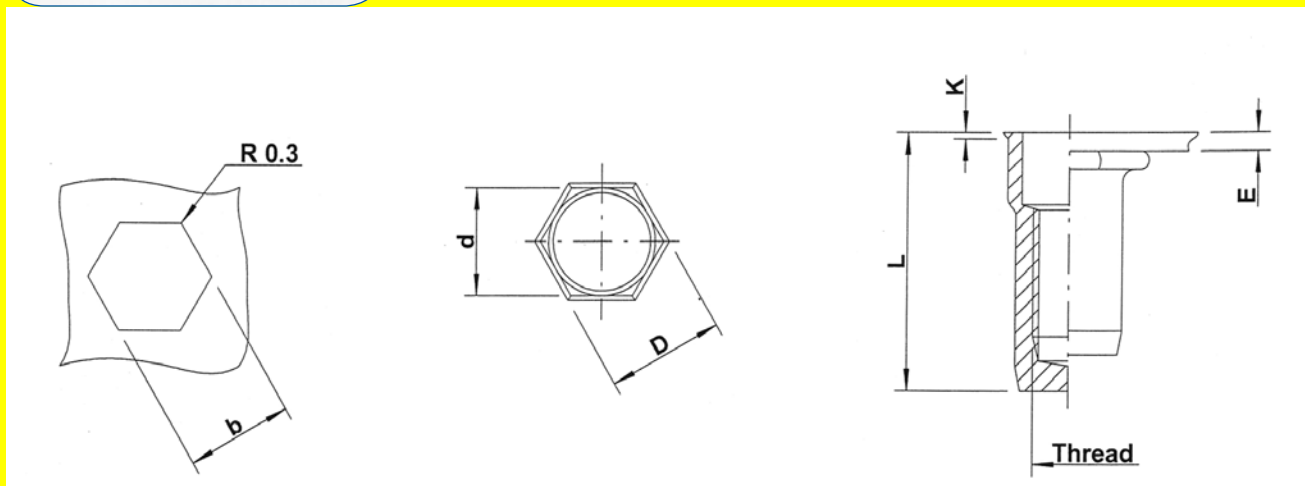




Stainless Steel 304

Semi-hexagonal shank
 Low profile head
 Closed end

HUKX



| THREAD | TYPE | E = grip | L | b+0,1 = hex hole | d = hex shank | D = hex head | K | kg/1000 | ORDER CODE | BOX Q |
|--------|--------|----------|------|------------------|---------------|--------------|-----|---------|------------|-------|
| M4 | HUKX20 | 0,5-2,0 | 15,5 | 6,0 | 6,0 | 6,5 | 0,5 | 1,8 | 544 620 | 5000 |
| M5 | HUKX30 | 0,5-3,0 | 18,0 | 7,0 | 7,0 | 7,5 | 0,5 | 2,7 | 545 620 | 4000 |
| | HUKX50 | 3,0-5,0 | 20,5 | | | | | 2,9 | 545 640 | 3000 |
| M6 | HUKX30 | 0,5-3,0 | 21,5 | 9,0 | 9,0 | 9,7 | 0,5 | 5,7 | 546 540 | 2000 |
| | HUKX50 | 3,0-5,0 | 23,5 | | | | | 6,1 | 546 565 | 2000 |
| M8 | HUKX30 | 0,5-3,0 | 24,0 | 11,0 | 11,0 | 11,8 | 0,5 | 8,7 | 548 320 | 1000 |
| | HUKX55 | 3,0-5,5 | 26,5 | | | | | 9,1 | 548 340 | 1000 |

M10: programme in progress

All dimensions in mm - Technical data subject to modification

Tolerances and characteristics see chapter 'Technical Information'



How to order or inquire: Please prefix the TUBTARA order code with 'R852-' example: R852-513550