

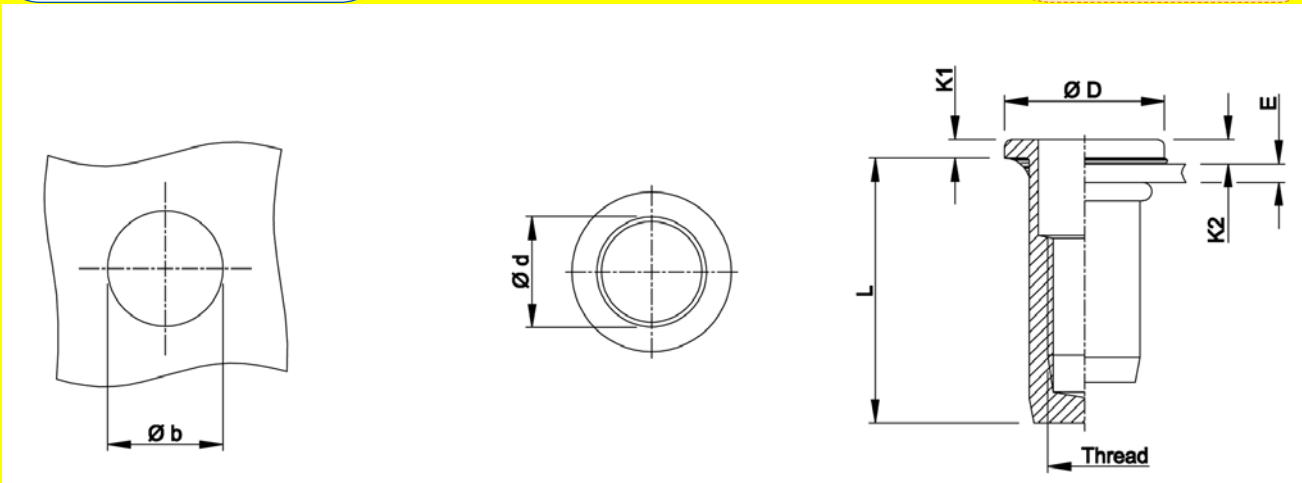


Stainless Steel 304

Round shank
 Flat head with underhead seal
 Closed end

DPX

watertight IP67¹



THREAD	TYPE	E = grip	L	b+0,1 = drill dia	d = shank dia	D	K1	K2	kg/1000	ORDER CODE	BOX Q
M4	DPX15	0,5-1,5	15,0	6,0	6,0	9,0	1,0	1,3	2,2	544 1105	5000
M5	DPX25	0,5-2,5	17,5	7,0	7,0	10,0	1,0	1,3	3,0	545 1805	2500
	DPX45	2,5-4,5	19,5							545 1855	2500
M6	DPX25	0,5-2,5	21,5	9,0	9,0	12,0	1,5	1,9	6,7	546 1005	1500
	DPX45	2,5-4,5	23,5							546 1055	1500
M8	DPX25	0,5-2,5	23,5	11,0	11,0	15,0	1,5	2,0	9,9	548 0655	1000
	DPX50	2,5-5,0	26,0							548 0665	750

All dimensions in mm - Technical data subject to modification

Tolerances and characteristics see chapter "Technical Data" and [pg 60](#)

¹ IP 67 guaranteed under Dejong test conditions

K2: Reference values only. Several factors (seal thickness, hole size, setting force ...) influence head and seal thickness after installation.



How to order or inquire: Please prefix the TUBTARA order code with 'R852-' example: R852-513550