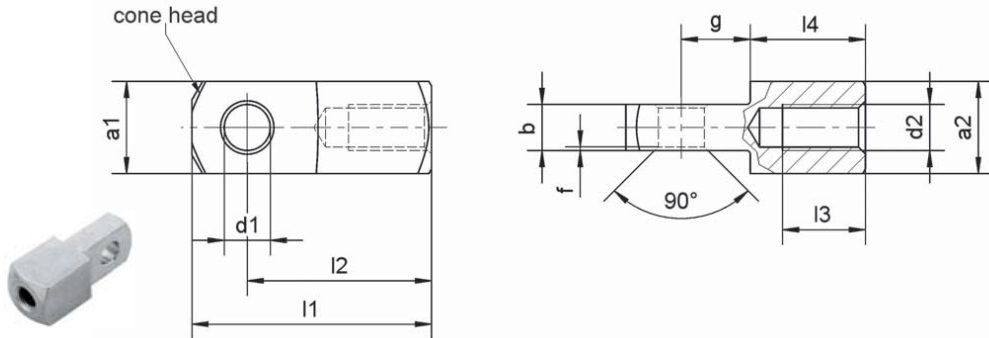


Mating pieces for clevises



Example for ordering:

Mating piece for clevises with female thread, metric regular thread $d2=M 10 \times 1.5$ suitable for clevis G 10x20 DIN 71 752;
 Mating piece for clevis size 10, M 10x1.5
 Order number: 10 23 0010 0015

mbo standard 23

Size	Order number	d1 H9	d2 ¹⁾		b -0.2	a1 ²⁾	a2 ²⁾	l1 ±0.5	l2 ±0.3	l3	l4 ±0.2	g ±0.5	f ±0.2	Mass (kg) per piece
			Regular thread	Fine-pitch thread		h11	h11							
4	10 23 0004 0006	4	M 4x0.7		4	8	21	16	6	10	6	0.5	0.006	
5	10 23 0005 0075	5	M 5x0.8		5	10	26	20	8	12.5	7.5	0.5	0.012	
6	10 23 0006 0009	6	M 6x1		6	12	31	24	11	15	9	0.5	0.021	
8	10 23 0008 0012	8	M 8x1.25		8	16	42	32	14	20	12	0.5	0.051	
8	12 23 0008 0012	8		M 8x1	8	16	42	32	14	20	12	0.5	0.051	
10	10 23 0010 0015	10	M 10x1.5		10	20	52	40	18	25	15	0.5	0.098	
10	14 23 0010 0015	10		M 10x1.25	10	20	52	40	18	25	15	0.5	0.098	
12	10 23 0012 0018	12	M 12x1.75		12	24	62	48	22	30	18	0.5	0.168	
12	14 23 0012 0018	12		M 12x1.25	12	24	62	48	22	30	18	0.5	0.167	
14	10 23 0014 0021	14	M 14x2		14	27	72	56	25	35	21	1	0.247	
14	16 23 0014 0021	14		M 14x1.5	14	27	72	56	25	35	21	1	0.245	
16	10 23 0016 0024	16	M 16x2		16	32	83	64	30	40	24	1	0.397	
16	16 23 0016 0024	16		M 16x1.5	16	32	83	64	30	40	24	1	0.395	
20	10 23 0020 0030	20	M 20x2.5		20	40	105	80	38	50	30	1	0.783	
20	16 23 0020 0030	20		M 20x1.5	20	40	105	80	38	50	30	1	0.776	

¹⁾ code for thread:
 regular thread
 regular thread, left-handed
 fine-pitch thread
 fine-pitch thread, left-handed

no code
 LH
 FG
 FGLH

²⁾ for semifinished products, tolerance h11 according to DIN 178

10_01
 01/2007

Material:

1.0718 (11SMnPb30+C)

alternative: stainless steel 1.4305 (X8CrNiS18-9)

Surface protection:

polished or at manufacturer's choice
 optional: phosphatized and oiled,
 electroplated galvanized, passivated in
 white-blue (silver/clear) or yellow



Special version:

left-handed and other threads or special slot widths "b" and transversal hole upon request; please send us your inquiry

Joint combinations:

see clevis joint combinations
 (mbo catalog section 11)